

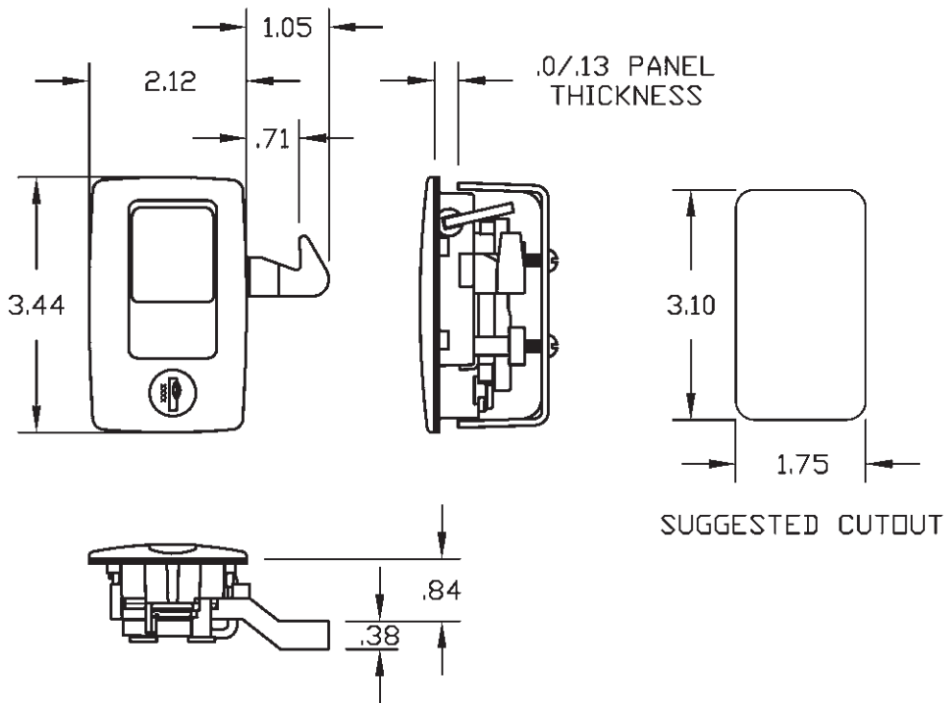
740 Eclipse Paddle Hook Latch

Features

- Paddle handle design slam latch incorporating a hook bolt on side, this variation is ideal for top opening lids such as toolboxes and storage boxes
- Produced with UV stabilized thermoplastic and stainless steel components, latch is suitable for extreme applications that deal with water including boats, campers, trailers, or outdoor containers
- Easy installation with the use of the mounting bracket and 2 screws, which are provided
- Key-locking version is furnished with two keys

Material

- Paddle handle and housing are manufactured from high strength, UV stabilized thermoplastic
- Metal stampings are 300 Series stainless
- Key cylinder is zinc die cast



Part No.	Type	Finish
1EC-740-LP9-MB	Non-Locking	Matt Black
1EC-740-LP9-MW		Matt White
1EC-740-LKP9-MB	Key Locking	Matt Black
1EC-740-LKP9-MW		Matt White

Dimensions in inches